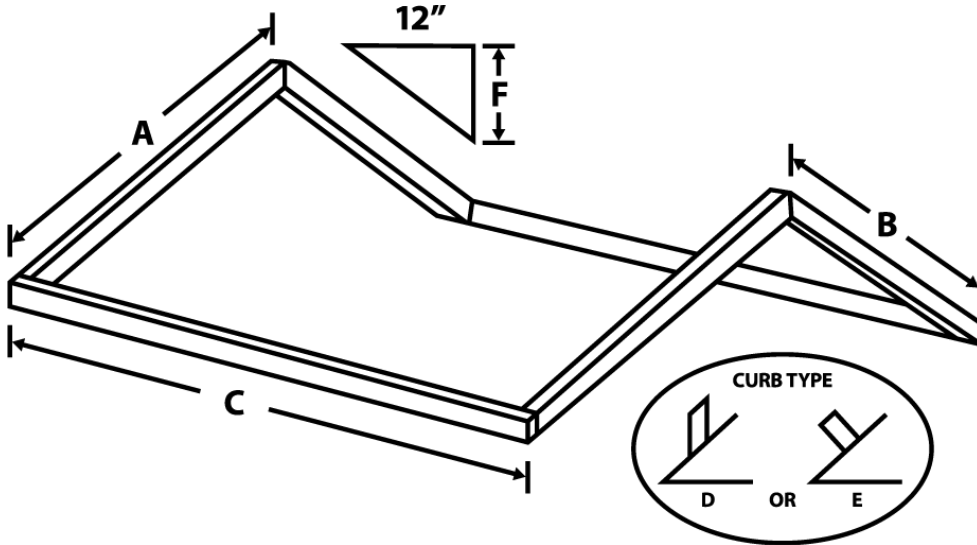


ORDER FORM:

Glass Ridge Unit

JC Barry Manufacturing Inc
7032 Danyeur Rd, Redding, CA 96001
Phone: (530) 244-6666
Fax: (530) 244-3523
jcbarryskylights@gmail.com



Measurements:

A = _____

B = _____

C = _____

Pitch F = _____

Please Check Attributes Below that Apply to Your Order:

Glass Tint:

- Clear
- White
- Bronze
- Other _____

Glass Type:

- Standard Tempered
- LoE 366

Glaze Type:

- Dual Pane

Frame Color:

- Mill Finish
- Bronze Finish
- White Finish
- Other _____

Curb Type:

- Curb Type D
- Curb Type E

Thermal Break:

- Yes No

Quantity Ordered: _____ Customer or PO#: _____

Special Instructions: _____

Upon our receipt of this signed confirmation, production for the above listed products will be scheduled. Confirmed orders are non-cancelable, non-refundable, and non-returnable.

Print Name: _____

Signature: _____ Date: _____

Note: Please fax or email this completed order form to the contact information above.