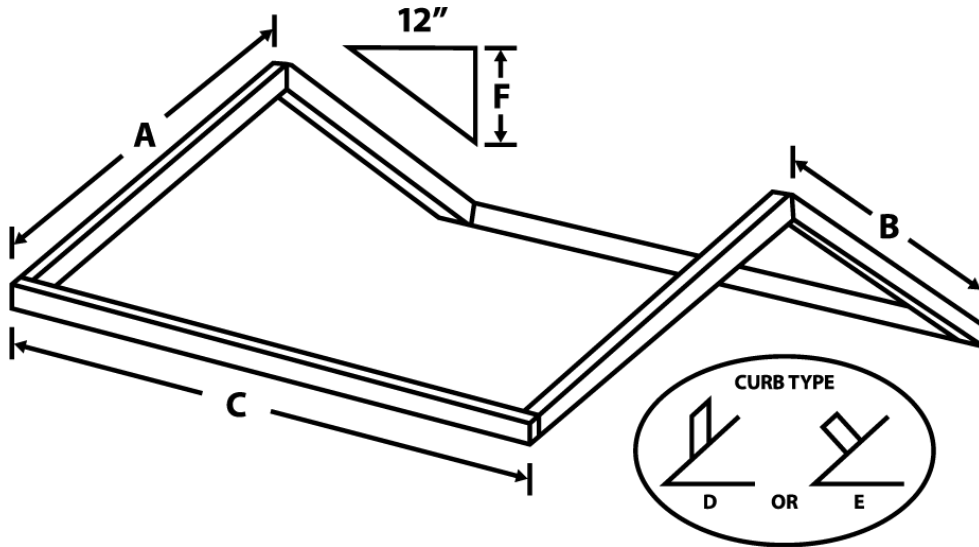


**ORDER FORM:**

**Acrylic Ridge Unit**

JC Barry Manufacturing Inc  
7032 Danyeur Rd, Redding, CA 96001  
Phone: (530) 244-6666  
Fax: (530) 244-3523  
jcbarryskylights@gmail.com



**Measurements:**

A = \_\_\_\_\_

B = \_\_\_\_\_

C = \_\_\_\_\_

Pitch F = \_\_\_\_\_

**Please Check Attributes Below that Apply to Your Order:**

**Dome Type:**

- Single Dome
- Double Dome
- Triple Dome

**Dome Color:**

- Clear
- White
- Bronze

**Frame Color:**

- Mill Finish
- Bronze Finish
- White Finish
- Other \_\_\_\_\_

**Curb Type:**

- Curb Type D
- Curb Type E

**Thermal Break:**

- Yes  No

**Quantity Ordered:** \_\_\_\_\_ **Customer or PO#:** \_\_\_\_\_

**Special Instructions:** \_\_\_\_\_

*Upon our receipt of this signed confirmation, production for the above listed products will be scheduled. Confirmed orders are non-cancelable, non-refundable, and non-returnable.*

**Print Name:** \_\_\_\_\_

**Signature:** \_\_\_\_\_ **Date:** \_\_\_\_\_

*Note: Please fax or email this completed order form to the contact information above.*